

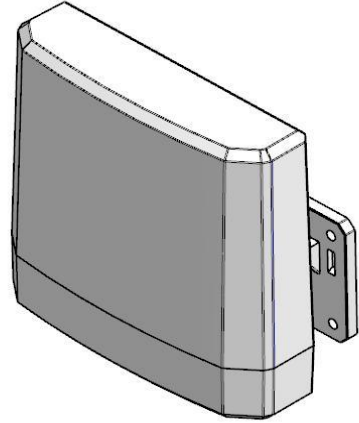
Multi-Band Patch Antenna

824~894 MHz, 1710~2170 MHz, 2300~2690MHz / 6, 7, 8dBi

CPWW-CPB-08

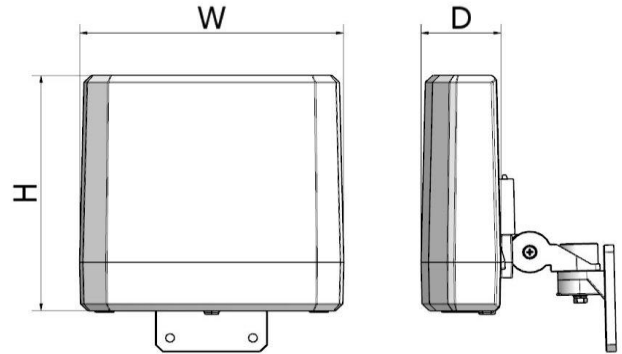
i. Electrical Specification

Frequency Range	824~894	1710~2170	2300~2690	
Polarization	Vertical	Vertical	Vertical	
Band Width	70 MHz	MHz		
Gain	≥ 6 dBi	≥ 7 dBi	≥ 8 dBi	
Beam width	Horizontal	75° ± 15°	65° ± 15°	60° ± 15°
	Vertical	75° ± 15°	65° ± 15°	60° ± 15°
F-B ratio (Horizontal & Vertical)	≥ 18 dB			
VSWR	1:1.5			
Impedance	50 Ω			
IMD (3rd)	≤ -150dBc @ 2x30dBm			
Maximum input power	50 W			

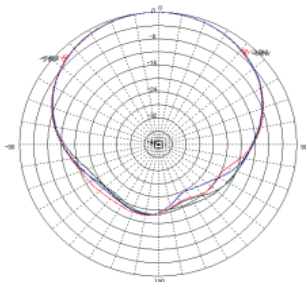


ii. Mechanical Specification

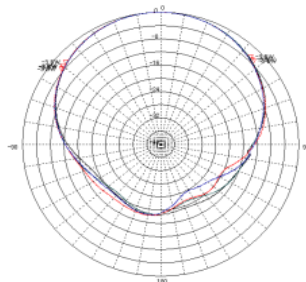
Radom Dimension (HxWxD)	171 x 182 x 55 mm
Weight (Include bracket)	≤ 490 g
Connector Type	N-J (Female)
Radome Material	ASA
Radome Color	Cool Gray 1C
Mechanical Tilt	Up, Down ± 20°
	Left, Right ± 20°
Temperature	-40 °C ~ 70 °C
Packing Size (H x W x D) 10SET	-
Packing Weight 10SET	-



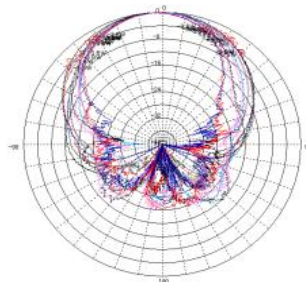
iii. Radiation Pattern



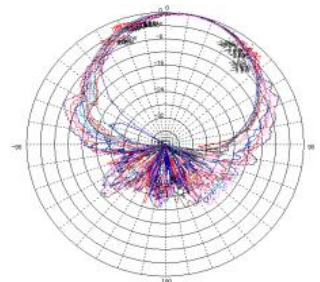
Horizontal Pattern
(Low Band)



Vertical Pattern
(Low Band)



Horizontal Pattern
(High Band)



Vertical Pattern
(High Band)